

RE EL1 LE2

Modular Dimmer for LED Strips with Rotary Knob

Description

- Modular Dimmer with rotary knob.
- Pulse Width Modulation dimming technology (PWM). Specially-designed for single-color 12-48V_{DC} LED Strips.
- Maximum load capacity of up to 8A (LED strip 12V_{DC} = 96W / LED strips 24V_{DC} = 192W).
- Modular housing, 35mm DIN-rail mounting.
- Control by built-in Potentiometer or by external Push-button.
- The front rotary knob allows dimming the LED strips without the need of an external push-button.
- Dimming speed adjustment via control knob.
- Two operation modes:
 - Memory: a short press will switch the LED strips on to the same level they had before the last switching-off.
 - No Memory: a short press will switch the LED strips on at maximum level.
- Resettable protection against overload and short-circuits. Heating protection, not resettable from 125°C on.



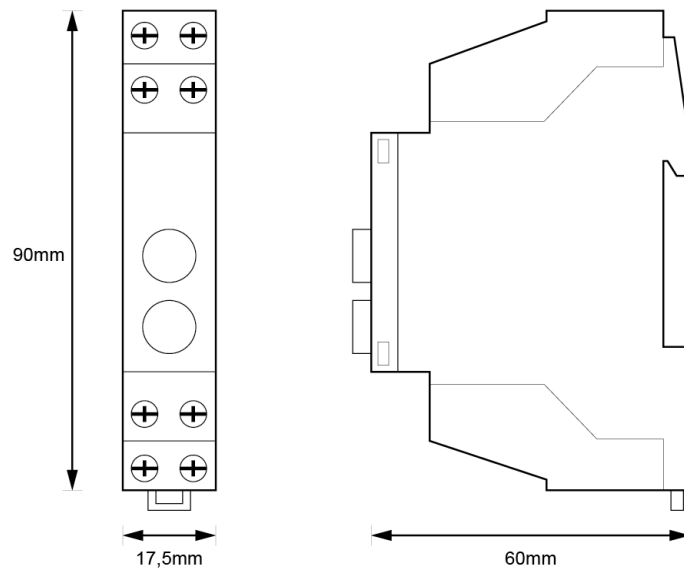
Technical Specifications

Reference	RE EL1 LE2
Power supply	12V _{DC} ~ 48V _{DC}
Consumption	12mA
Type of load	Single-color 12V _{DC} ~ 48V _{DC} LED Strips
Maximum load	8A
Control	Pushbutton referred to Ground, Pushbutton referred to 230V (no SELV) or built-in Potentiometer
Maximum number of pushbuttons	Unlimited (Does not admit lighted pushbuttons)
Dimensions	1 module width
Working temperature	0°C ... +40°C
Protection degree	IP20, according to EN60529
According to the Standard	EN60669-2-1

RE EL1 LE2

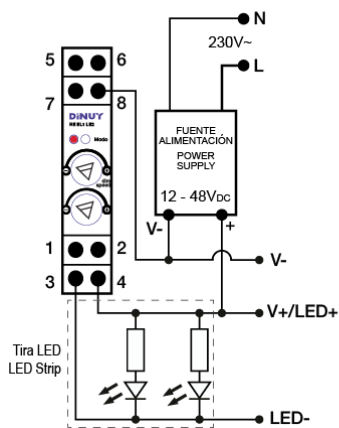
Modular Dimmer for LED Strips with Rotary Knob

Dimensions

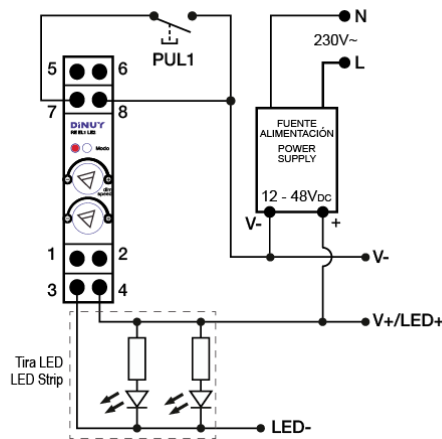


Wiring Diagrams

· Potentiometer:



· Pushbutton referred to Ground:



· Pushbutton referred to 230V:

