

RE EL5 LE1

Dimmable Dimmer for Led Lamps (leading edge)

Description

- Modular dimmer for high capacity installations with dimmable 230V ~ LED lamps. Leading-edge dimming technology.
- Control:
 - Pushbutton:
 - With memory: the lamps are switched on at previous level before being switched - off.
 - Without memory: the lamps are switched on at maximum level.
 - Auto: the lamps are switched on at the previous level before being switched-off and the dimmer recovers the same situation if there is a cut-off of the mains.
 - Potentiometer, external or built-in one.
 - 0/10VDC signal.
- Modular housing, with a width of 5 modules (87,5mm). Mounting in DIN rail.
- Anti-panic input for safety systems: in case of emergency the lamps can be switched on at maximum level without taking into account the dimming control.
- Wireless Master/Slave configuration, allowing increasing the load capacity from only one control, dividing the load in different dimmers.



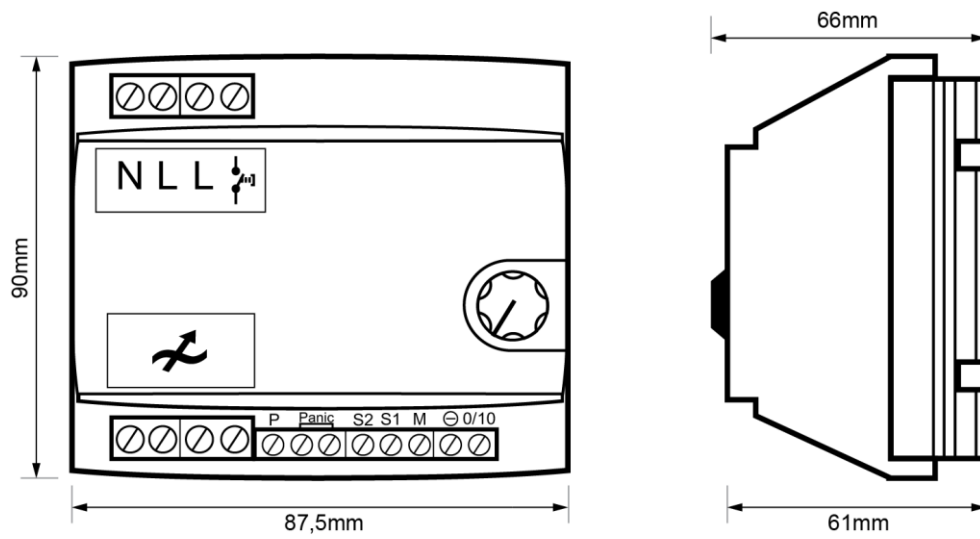
Technical Characteristics

Reference	RE EL5 LE1
Power Supply	230V~ 50Hz
Consumption	2,5W
Type of Load	Dimmable 230V Led Lamps (leading edge)
Maximum Load	1200W
Control	Pushbutton (no lighted), Potentiometer, 0/10V or 1/10V signal
Dimensions	5 modules of width
Connection Terminals	Up to 6mm ² connection wire
Working Temperature	0°C ~ +40°C
Protection Degree	IP20, according to UNE EN20324
According to the Standard	UNE EN60669-2-1

RE EL5 LE1

Dimmable Dimmer for Led Lamps (leading edge)

Dimensions



Wiring Diagram

