

Description

- The 4-channel Analog/Digital interface is equipped with 4 independent channels which may be used as inputs for Analog or Digital signals.
- Each channel may be used depending on the parameterization by the ETS:
 - Binary input: the interface can evaluate at its potential-free inputs up to 4 pushbutton/switch states and send the corresponding telegram according to the configured setting as: Switch, Dimmer, Multiple Switch, Sequential Switch, Shutter/Blind control, Scene Control, Fixed/Forced value or Counter.
 - Analog input: temperature sensor by connecting an external temperature probe (ST KNT 001 or ST KNT 002).
- Can be configured and enabled up to 4 room Thermostats for heating and/or cooling control systems.
- Flush-mounting in universal box, behind the pushbutton/switch.
- Supply from the Bus. External supply is not required.
- Built-in KNX BCU (Bus Coupler Unit).
- Programming and commissioning by ETS4 or later.

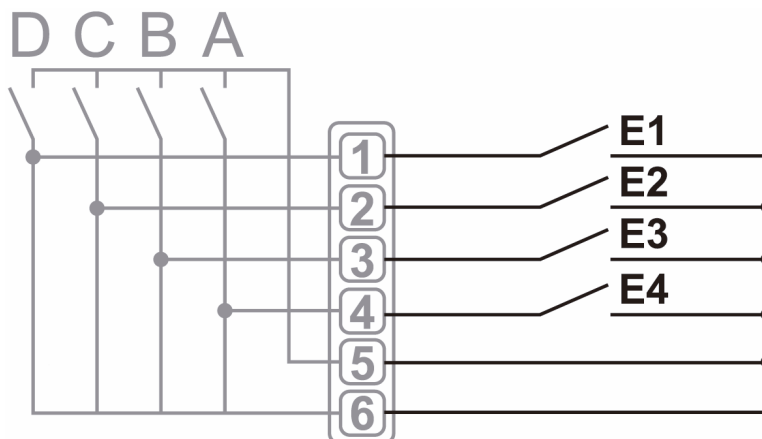


Technical Data

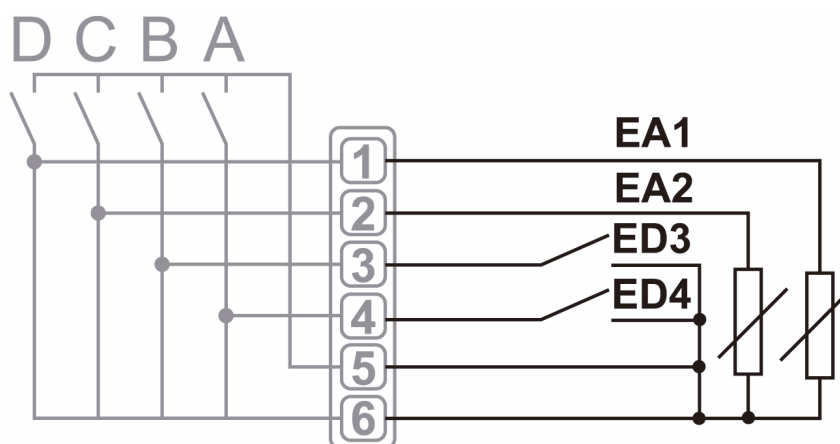
Reference	EM KNT 002
Power Supply	21 ~ 32V _{DC} (via Bus)
Power Consumption	< 10mA
Wires Length	~ 30cm
Line Length	< 10m
Connection Type	TP1 KNX Bus connector
Number of Inputs	4 channels
Input Polling Voltage	20V _{DC}
Input Current	0,5mA
Output Voltage	5V _{DC}
Output Current	< 2mA
Measured Temperature (probe)	-40°C ~ +100°C
Commissioning	ETS4 or later
Mounting	Flush-mounting within universal box
Safety	Short-circuit, Overload and Wrong Polarity protection
Dimensions	38 x 42 x 15mm
Working Temperature (sensor)	-5°C ~ +45°C
Protection Degree	IP20, according to EN20324

Wiring Diagrams

- With 4 Binary inputs:



- With 2 Binary and 2 Analog inputs:



Accessories

- Two different temperature probes can be connected to the EM KNT 002:

- **ST KNT 001:**

- NTC Epoxy Temperature probe.
- High accuracy and stability over a wide temperature range.
- A cable of 3m length is included.
- Ø7mm.



- **ST KNT 002:**

- NTC Epoxy Temperature probe.
- High accuracy and stability over a wide temperature range.
- A cable of 0.5m length is included.
- Ø5mm.

