

RE KNT DA1

3-channel KNX / DALI Gateway

Description

- KNX / DALI Gateway with 3 broadcast output channels.
- Unidirectional and Broadcast communication with the DALI lighting fixtures. Does not allow the creation of groups within each of the 3 channels.
- Incorporates 3 independent output channels with a maximum capacity of up to 64 ECGs per channel or 128 in total.
- Manual control of its outputs is possible thanks to the front rotary knob.
- Different functions and parameters can be enabled and parameterized by the ETS: staircase lighting timer with warning function, dimming speed, scene control (up to 5), sequential operation, soft turn on/off, etc.
- Anti-panic input for safety systems.
- Modular housing (5 modules wide), DIN-rail mounting.
- Built-in KNX TP1 connection terminal.
- Programming and commissioning via ETS4 or later versions.



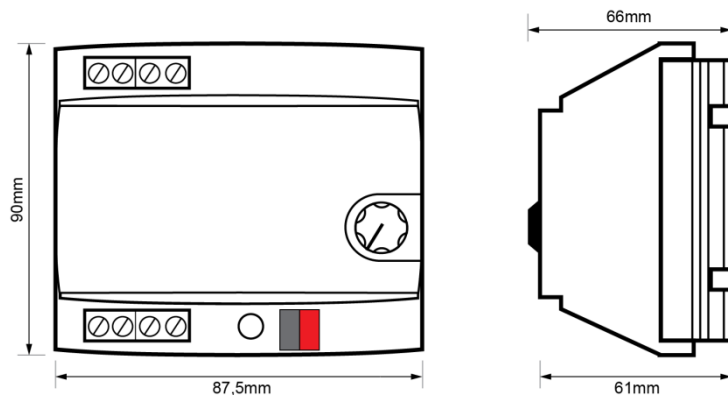
Technical Characteristics

Reference	RE KNT DA1
External Nominal Voltage	110V-230V~ 50Hz
Supply from KNX Bus	21 ~ 32Vdc
Consumption	10W
Application Software	ETS4 or later
Commissioning	System Mode
Valid for	DALI ECGs
Maximum Number of ECGs	64 per channel, 128A in total
Output channels	3
Dimensions	5 modules, 87,5 x 65mm
Operation Temperature	-5°C ~ +45°C
Environmental Protection	IP20, according to EN60529
Directives	Low Voltage 2014/35/UE EMC 2014/30/UE
According to the Standards	KNX Standard 2.0 EN60669-1, 2-1, 2-3
Marking	EIB/KNX

RE KNT DA1

3-channel KNX / DALI Gateway

Dimensions



Wiring Diagram

