

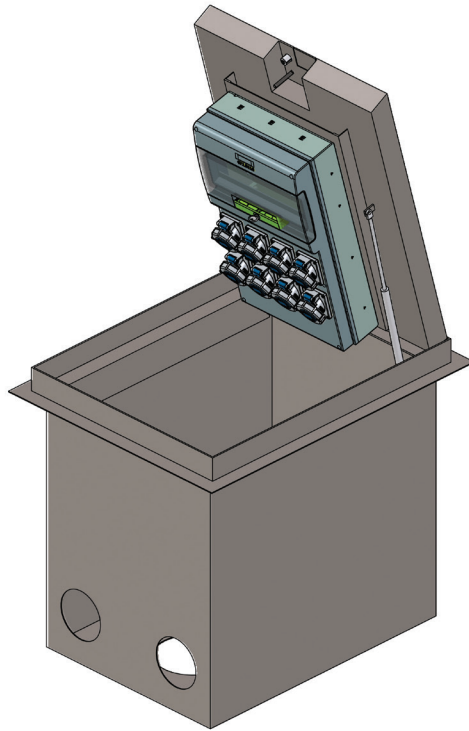


# VM02 7050

RETRACTABLE  
POWER TOWER

FOR DISTRIBUTION  
OF ENERGY AND SERVICES

# VM02 7050



## MECHANICAL SPECS

Retractable power tower, model VM02 7050 from the "Urban Technology" line of New VMR S.r.l., for the distribution of energy and other services, entirely made of AISI304 stainless steel with its cover completed with cable outlet to allow to use the unit with its cover closed. Semiautomatic lifting with release key and gas rams: the opening is eased by a double gas actuator and a pivot partially removable from the lid surface; the closing is guaranteed by a AISI304 stainless steel bronzed bayonet lock, operated by its square key. Dimensions: 516x750xh715mm.

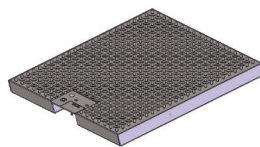
## ELECTRICAL SPECS

Electrical equipment containment box with IP 66 protection IEC 60 529 and CE70-1 double insulation in thermoplastic material free of halogen self-extinguishing halogen, painted gray RAL 7035 resistant to abnormal heat and fire up to 650 ° (incandescent wire test according to IEC 60 695-2 -1).

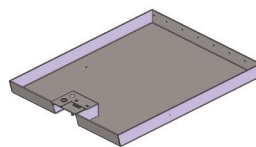
Elastomer sealing gaskets for dimensional stability in continuous operation from -20 ° to + 85 °. Resistance to chemical agents (water, saline solutions, acids, bases and oils) and atmospheric agents.

Reference standards: CEI 23-48 and IEC 60 670. This system is suitable for manufacturing equipment and for places with a higher risk of fire (IEC 64-8 / 7).

## AVAILABLE COVERS



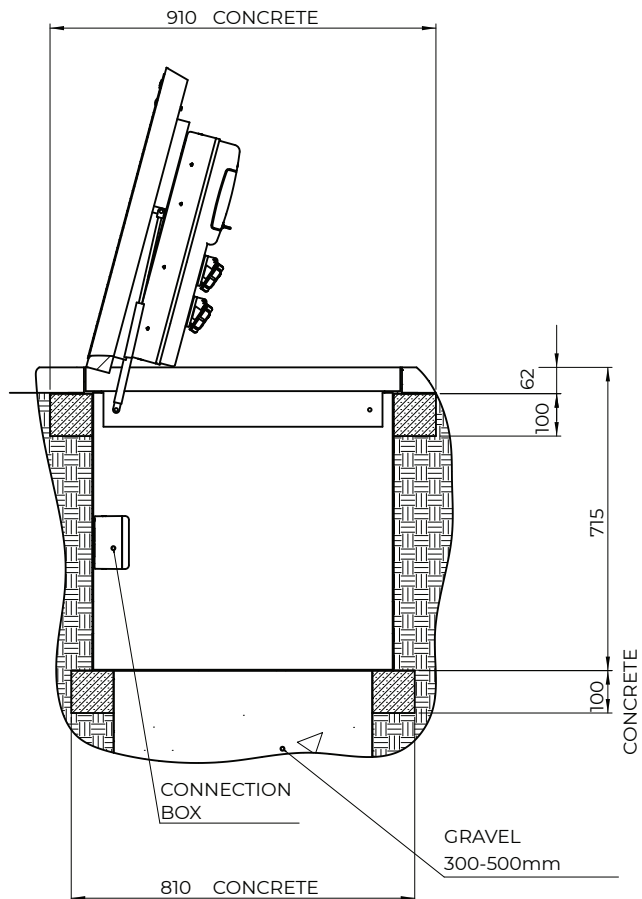
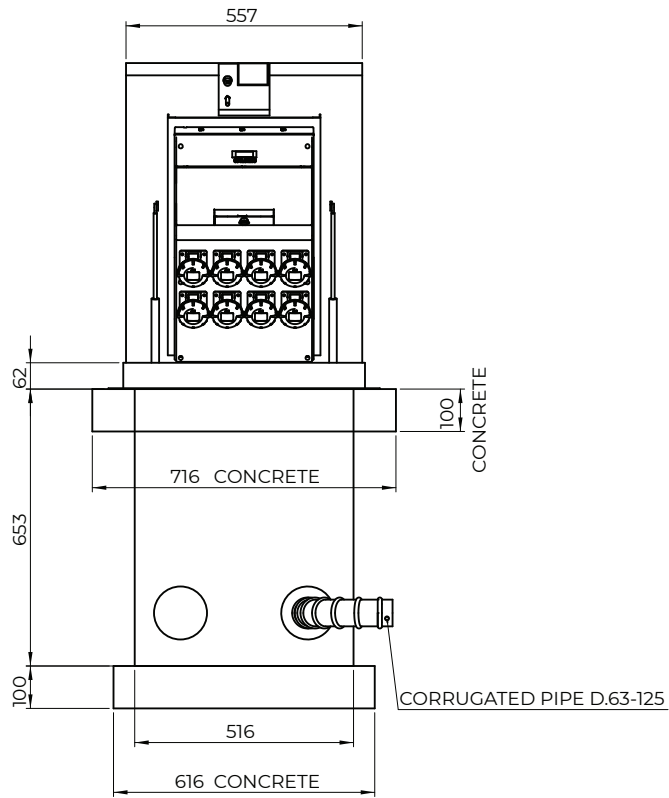
**400kN STAINLESS  
STEEL\* COVER with  
ALMOND FINISH**



**250kN STAINLESS STEEL\*  
COVER to FILL**

\* electro pickling and electropolishing with passivation of stainless steel treatment to finish and clean the covers from welding marks

# Technical drawing (example)



## **TECHNICAL DETAILS**

### **STRUCTURE**

Structure made of AISI304 stainless steel

Structure made of AISI316L stainless steel (only on demand)

### **CONNECTION SYSTEM**

Connection with junction box

### **ELECTRICAL SPECS**

Voltage 230V/400V

Frequency from 50hz to 60hz

Standard protection of the sockets IP67 or IP68

Regulation EN 60947-1 and EN 61439

### **ADDITIONAL EQUIPMENT**

Compressed air outlets

Audio / video connectors

RJ-data / video / telephone jacks

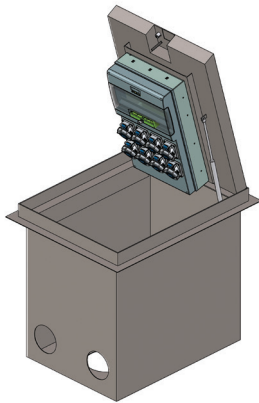
Water outlets / valves 1/2" or 3/4"

Energy consumption meters

Water consumption meters

Prepaid system with rechargeable BADGE cards  
and CONTROL TOTEM

EQUIPMENTS  
**VM02**  
7050



**SUITABLE FOR**

market areas, squares, showrooms, parks,  
hangars or hotels

**VM02 7050 - A \***

08 2P+E 16A CEE sockets
08 RCBOs 1P+N 16A 0,03 6KA
01 heating kit

**VM02 7050 - B \***

04 2P+E 16A CEE sockets
04 RCBOs 1P+N 16A 0,03 6KA
01 3P+N+E 16A CEE socket
01 RCBO 4x16A 0,03 6KA
01 3P+N+E 32A CEE socket
01 RCBO 4x32A 0,03 6KA
01 heating kit

**VM02 7050 - C \***

02 2P+E 16A CEE sockets
02 RCBOs 1P+N 16A 0,03 6KA
01 3P+N+E 16A CEE socket
01 RCBO 4x16A 0,03 6KA
01 3P+N+E 63A interlocked socket
01 RCBO 4x63A 0,03 6KA
01 heating kit

**VM02 7050 - D \***

02 2P+E 16A CEE sockets
02 RCBOs 1P+N 16A 0,03 6KA
01 3P+N+E 32A CEE socket
01 RCBO 4x32A 0,03 6KA
01 3P+N+E 63A interlocked socket
01 RCBO 4x63A 0,03 6KA
01 heating kit

**VM02 7050 - E \***

03 2P+E 16A CEE sockets
03 RCBOs 1P+N 16A 0,03 6KA
01 3P+N+E 63A interlocked socket
01 RCBO 4x63A 0,03 6KA
01 heating kit

**VM02 7050 - F \***

02 3P+N+E 63A interlocked sockets
02 RCBOs 4x63A 0,03 6KA
01 heating kit

**VM02 7050 - G \***

01 3P+N+E 125A interlocked socket
01 RCBO 4x125A 0,03 25KA
01 heating kit

**VM02 7050 - H \***

04 3P+N+E 16A interlocked sockets
04 RCBOs 4x16A 0,03 6KA
01 heating kit

**VM02 7050 - I \***

02 3P+N+E 32A interlocked sockets
02 RCBOs 4x32A 0,03 6KA
01 heating kit

**VM02 7050 - L \***

04 2P+E 16A interlocked sockets
04 RCBOs 1P+N 16A 0,03 6KA
01 heating kit

**WITHOUT EQUIPMENT - ONLY STAINLESS STEEL PLATE TO MOUNT THE EQUIPMENT  
OPTIONAL ACCESSORIES**

\* 01 or 02 ball valve 1/2" mounted on the concrete



[WWW.VMRSRL.COM](http://WWW.VMRSRL.COM)

**NEW VMR S.R.L.**

VIA LARIO 31, 22060 CANTÙ (CO) ITALY

+39 031 704673 | 031 7090081

[INFO@VMRSRL.COM](mailto:INFO@VMRSRL.COM)

P.IVA 03230340139