

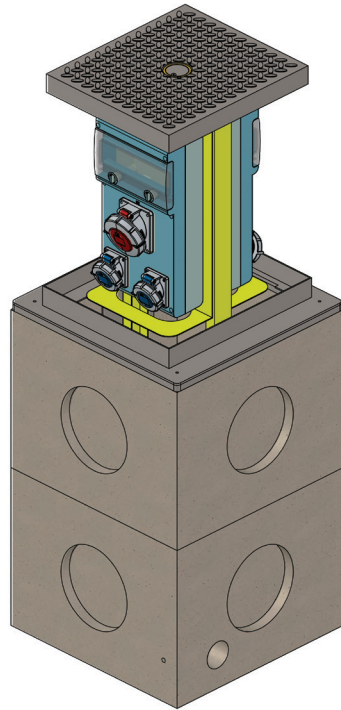


VM05

RETRACTABLE
POWER TOWER

FOR DISTRIBUTION
OF ENERGY AND SERVICES

VM05



MECHANICAL SPECS

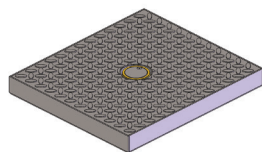
Retractable power tower, model VM05 from the "Urban Technology" line of New VMR S.r.l., for the distribution of energy and other services, made of press-bent AISI304 stainless steel painted RAL 1021 with two sides available for mounting electrical equipment. The sliding of the unit is ensured by self-lubricating polythene guides. Manual lifting thanks to the worm screw system and by its turning handle or special accessory to mount on an electric drill; or, **only on demand and if it is possible**, the unit may also come with a semi-automatic lifting ensured by gas rams and release key. Complete with RBK concrete box with the following external 490x490xh740mm.

ELECTRICAL SPECS

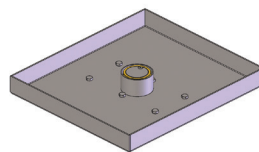
Electrical equipment containment box with IP 66 protection IEC 60 529 and CE70-1 double insulation in thermoplastic material free of halogen self-extinguishing halogen, painted gray RAL 7035 resistant to abnormal heat and fire up to 650 ° (incandescent wire test according to IEC 60 695-2 -1).

Elastomer sealing gaskets for dimensional stability in continuous operation from -20 ° to + 85 °. Resistance to chemical agents (water, saline solutions, acids, bases and oils) and atmospheric agents. Reference standards: CEI 23-48 and IEC 60 670. This system is suitable for manufacturing equipment and for places with a higher risk of fire (IEC 64-8 / 7).

AVAILABLE COVERS



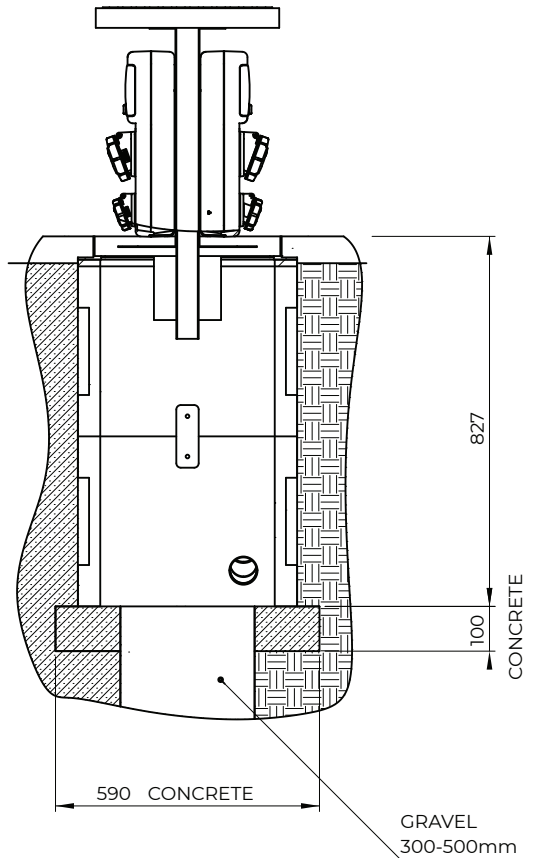
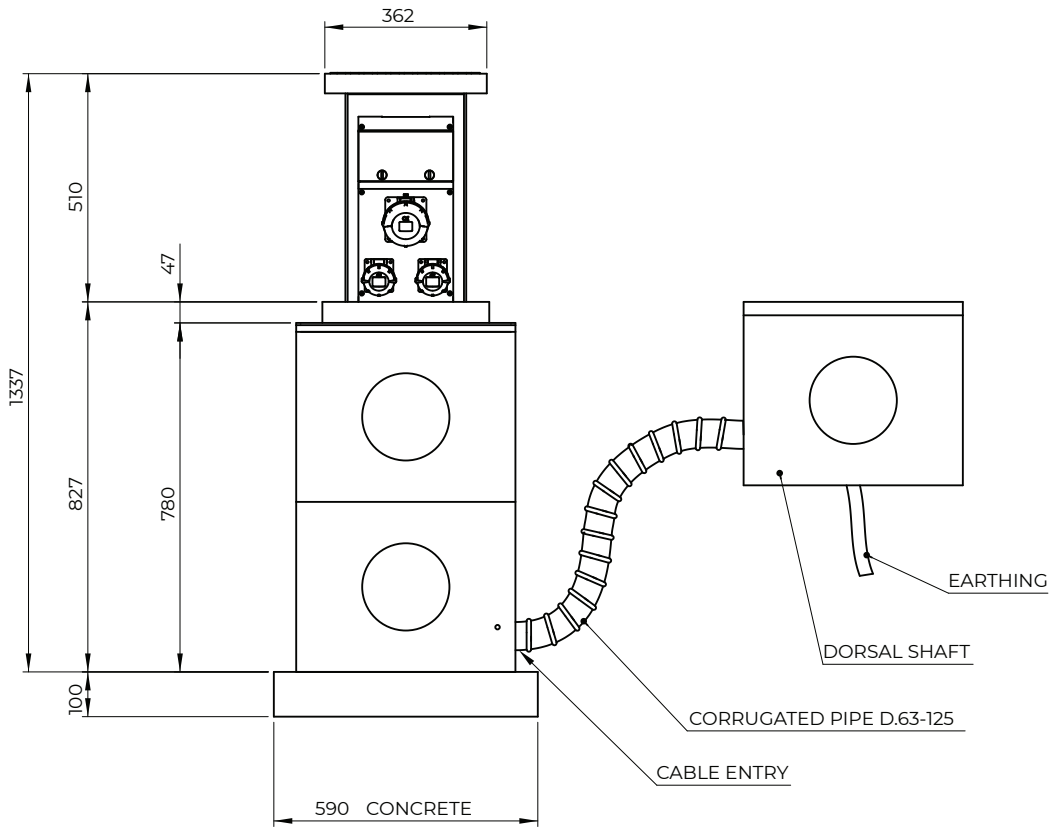
400kN STAINLESS STEEL* COVER with ALMOND FINISH



250kN STAINLESS STEEL* COVER to FILL

* electro pickling and electropolishing with passivation of stainless steel treatment to finish and clean the covers from welding marks

Technical drawing (example)



TECHNICAL DETAILS

STRUCTURE

RBK concrete box

Structure made of AISI304 stainless steel

Structure made of AISI316L stainless steel (only on demand)

CONNECTION SYSTEM

Connection with H07RN-F cable
(out of the concrete 3,00mt standard) to a dorsal shaft

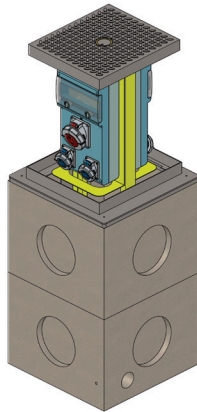
ELECTRICAL SPECS

Voltage 230V/400V
Frequency from 50hz to 60hz
Standard protection of the sockets IP67 or IP68
Regulation EN 60947-1 and EN 61439

ADDITIONAL EQUIPMENT

Compressed air outlets
Audio / video connectors
RJ-data / video / telephone jacks
Water outlets / valves 1/2" or 3/4"
Energy consumption meters
Water consumption meters
Prepaid system with rechargeable BADGE cards
and CONTROL TOTEM

EQUIPMENTS VM05



SUITABLE FOR

market areas, squares, showrooms, parks,
hangars or hotels

VM05 - A * / **

08 2P+E 16A CEE sockets
08 RCBOs 1P+N 16A 0,03 6KA
01 heating kit

VM05 - B **

04 2P+E 16A CEE sockets
04 RCBOs 1P+N 16A 0,03 6KA
02 ball valves 1/2" for water or compressed air
01 heating kit

VM05 - C **

06 2P+E 16A CEE sockets
06 RCBOs 1P+N 16A 0,03 6KA
01 ball valve 1/2" for water or compressed air
01 heating kit

VM05 - D * / **

04 2P+E 16A CEE sockets
04 RCBOs 1P+N 16A 0,03 6KA
01 3P+N+E 16A CEE socket
01 RCBO 4x16A 0,03 6KA
01 3P+N+E 32A CEE socket
01 RCBO 4x32A 0,03 6KA
01 heating kit

VM05 - E * / **

06 2P+E 16A CEE sockets
06 RCBOs 1P+N 16A 0,03 6KA
02 2P+E 32A CEE sockets
02 RCBOs 1P+N 32A 0,03 6KA
01 heating kit

VM05 - F * / **

01 3P+N+E 63A CEE socket
01 RCBO 4x63A 0,03 6KA
01 heating kit

VM05 - G * / **

02 2P+E 16A CEE sockets
02 RCBOs 1P+N 16A 0,03 6KA
02 3P+N+E 16A CEE sockets
02 RCBOs 4x16A 0,03 6KA
02 3P+N+E 32A CEE sockets
02 RCBOs 4x32A 0,03 6KA
01 heating kit

VM05 - H * / **

02 3P+N+E 16A interlocked sockets
02 RCBOs 4x16A 0,03 6KA
02 3P+N+E 32A interlocked sockets
02 RCBOs 4x32A 0,03 6KA
01 heating kit

VM05 - I * / **

04 2P+E 16A interlocked sockets
04 RCBOs 1P+N 16A 0,03 6KA
01 heating kit

VM05 - L * / **

02 2P+E 16A interlocked sockets
02 RCBOs 1P+N 16A 0,03 6KA
01 3P+N+E 16A interlocked socket
01 RCBOs 4x16A 0,03 6KA
01 3P+N+E 32A interlocked socket
01 RCBOs 4x32A 0,03 6KA
01 heating kit

VM05 - M * / **

02 2P+E 16A interlocked sockets with fuse
01 3P+N+E 16A interlocked socket with fuse
01 3P+N+E 32A interlocked socket with fuse
01 heating kit

WITHOUT EQUIPMENT - ONLY STAINLESS STEEL PLATE TO MOUNT THE EQUIPMENT
OPTIONAL ACCESSORIES | TO BE FITTED BY REMOVING SOME SOCKETS FOR THE EQUIPMENTS VM05-A-B-C-D-E-G-H-L-M

ON THE EMPTY SIDE FOR VM05-F

* 01 or 02 ball valves 1/2" per water or compressed air

** 01 o 02 Sockets dati RJ45 cat.06



WWW.VMRSRL.COM

NEW VMR S.R.L.

VIA LARIO 31, 22060 CANTÙ (CO) ITALY

+39 031 704673 | 031 7090081

INFO@VMRSRL.COM

P.IVA 03230340139