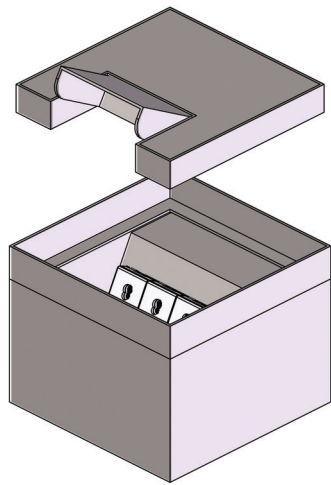




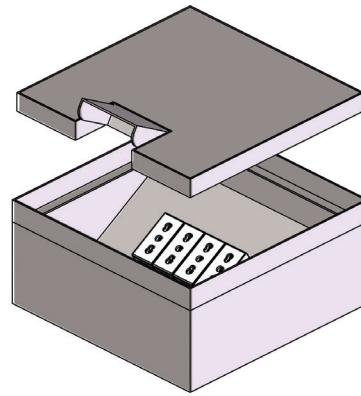
# VM HOME

RETRACTABLE  
POWER TOWER

FOR DISTRIBUTION  
OF ENERGY AND SERVICES



**mod. 120x120**



**mod. 200x200**

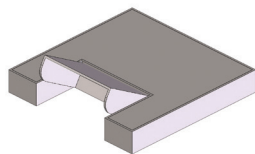
## MECHANICAL SPECS

Retractable power tower, model VM HOME from the "Urban Technology" line of New VMR S.r.l., for the distribution of energy and other services, entirely made of AISI304 stainless steel with its 120kN stainless steel\* cover to fill or satin finish, completed with cable outlet.

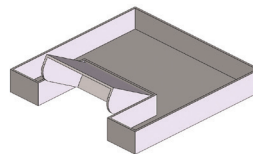
Manual lifting of the cover.

Dimensions 120x120mm or 200x200mm and h120mm.

## AVAILABLE COVERS

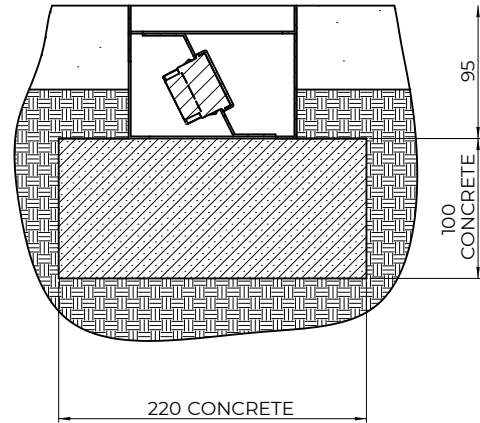
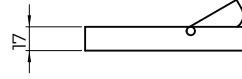
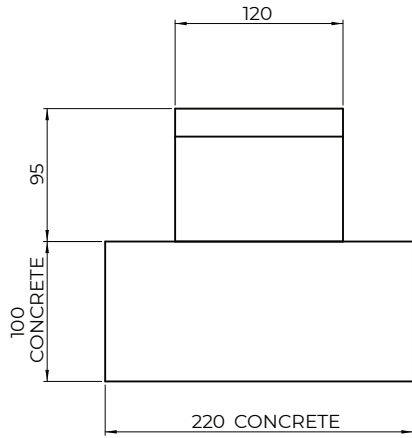


**120kN STAINLESS STEEL\*  
COVER SATIN FINISH**

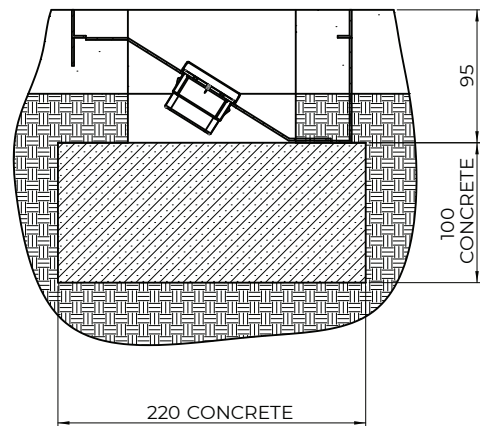
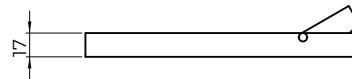
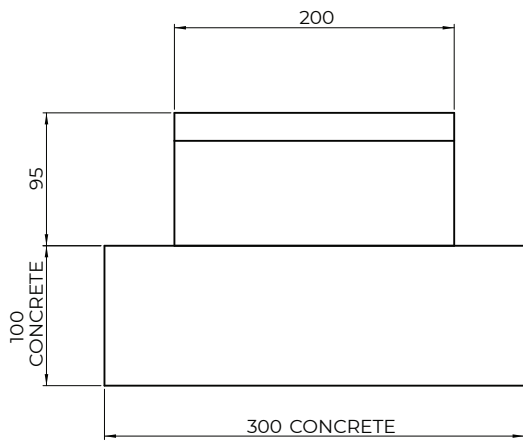


**120kN STAINLESS  
STEEL\* COVER to FILL**

# Technical drawing (example)

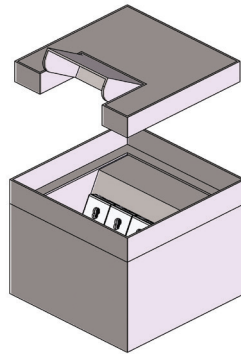


mod. 120x120



mod. 200x200

Equipment  
**VM HOME**  
120



**SUITABLE FOR**

both private and showrooms

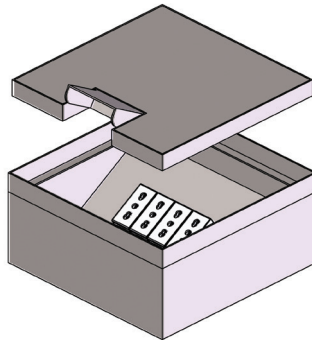
**VM HOME - A \***

02 SCHUKO sockets

**VM HOME - B \***

02 civil sockets

EQUIPAGGIAMENTI  
**VM HOME**  
200



**SUITABLE FOR**

both private and showrooms

**VM HOME - C \***

04 SCHUKO sockets

**VM HOME - D \***

04 civil sockets

**WITHOUT EQUIPMENT**

**OPTIONAL ACCESSORIES**

**REMOVING 1 OR 2 SOCKETS FROM THE EQUIPMENT**

\* 01 (for VM HOME 120) or 02 (for VM HOME 200)

RJ45 cat.06 data sockets

01 TV connector



[WWW.VMRSRL.COM](http://WWW.VMRSRL.COM)

**NEW VMR S.R.L.**

VIA LARIO 31, 22060 CANTÙ (CO) ITALY

+39 031 704673 | 031 7090081

[INFO@VMRSRL.COM](mailto:INFO@VMRSRL.COM)

P.IVA 03230340139