



HARBORS & MARINA LINE

# PROXIMA

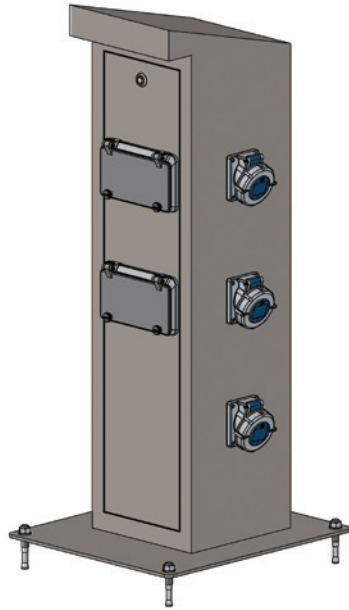
**WITHOUT DOOR AND CABLE OUTLET**

SUPPLY BOLLARDS

FOR DISTRIBUTION  
OF ENERGY AND SERVICES

# PROXIMA

## without door and cable outlet



### MECHANICAL SPECS

Urban Technology by New VMR S.r.l. supply unit **PROXIMA** of the Harbors & Marina line for the distribution of energy power and services is entirely made of AISI304 stainless steel (AISI316L on demand and if installed in sea areas).

External fastening system (internal on demand) and IK10 impact resistance.  
Painted standard colour micaceous iron grey (or special RAL colour with gloss or mat finish on demand and extra charge).

Dimensions: width and height suggested by New VMR staff or the ones related to a specific equipment.

**W200 x h860mm**  
**W200 x h1200mm**  
**W400 x h860mm**  
**W400 x h1200mm**

Height available according to the equipment, with standard depth of 270mm.

Available also version **ICEBERG** without door model

### ELECTRICAL SPECS

230V/400V tension e frequency between 50/60hz, according to regulation EN 60947-1 and EN 61439. Socket protection is standard grade IP44 (IP67 protection grade for the sockets only on demand; IP67 protection grade may need to change the dimensions of the unit).

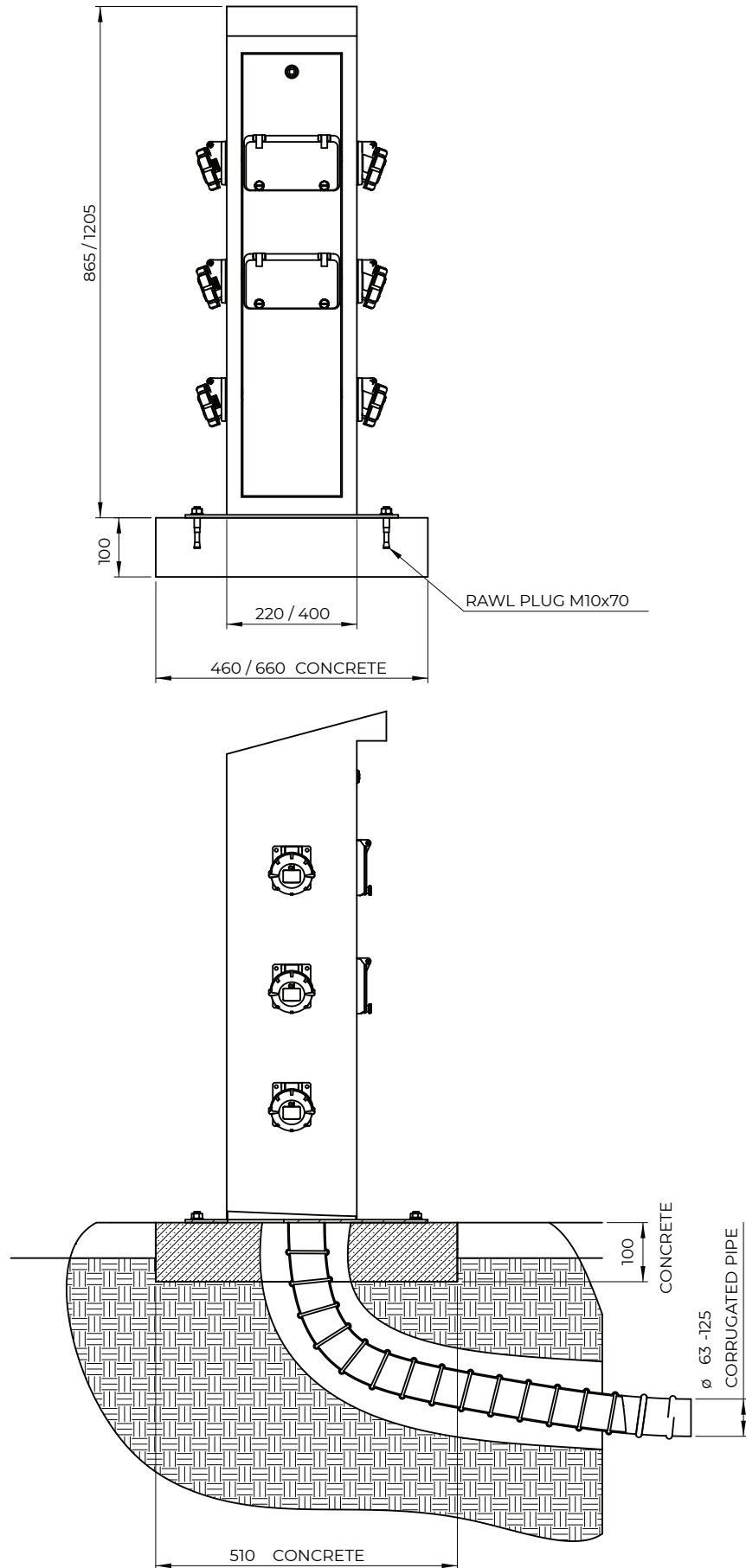
Electrical equipment containment box with IP 66 protection IEC 60 529 and CE70-1 double insulation in thermoplastic material free of halogen self-extinguishing halogen, painted gray RAL 7035 resistant to abnormal heat and fire up to 650 ° (incandescent wire test according to IEC 60 695-2 -1).

Elastomer sealing gaskets for dimensional stability in continuous operation from -20 ° to + 85 °.

Resistance to chemical agents (water, saline solutions, acids, bases and oils) and atmospheric agents. Reference standards: CEI 23-48 and IEC 60 670.

This system is suitable for manufacturing equipment and for places with a higher risk of fire (IEC 64-8 / 7).

# Technical drawing (example)



## **GENERAL TECHNICAL DETAILS**

### **STRUCTURE**

Impact resistance IK10

Structure made of AISI304 stainless steel

Structure made of AISI316L stainless steel for waterfronts in sea areas

### **CONNECTION SYSTEM**

Direct connection to its terminal block

### **ELECTRICAL SPECS**

Voltage 230V/400V

Frequency from 50hz to 60hz

Standard protection IP44 (IP67 on demand)

Regulation EN 60947-1 and EN 61439

### **ADDITIONAL EQUIPMENT**

LED lighting diffusor system

Compressed air outlets

Audio / video connectors

RJ-data / video / telephone jacks

Water outlets / valves 1/2" or 3/4"

Energy consumption meters

Water consumption meters

Prepaid system with rechargeable BADGE cards

EQUIPMENTS  
**PR**  
**L200 H860**



**SUITABLE FOR**

market areas, squares, showrooms,  
parks or hotels

**PR L200 H860 - A \***

04 SCHUKO sockets  
04 RCBOs 1P+N 16A 0,03 6KA

**PR L200 H860 - B \***

04 2P+E 16A CEE sockets  
04 RCBOs 1P+N 16A 0,03 6KA

**PR L200 H860 - C \***

02 SCHUKO sockets  
02 RCBOs 1P+N 16A 0,03 6KA  
01 3P+N+E 16A inclined socket  
01 RCBO 4x16A 0,03 6ka

**OPTIONAL ACCESSORIES**

\* 01 ball valve 1/2"  
for water or compressed air  
01 or 02 RJ45 cat.06 data sockets  
01 LED lighting kit

01 heating kit

EQUIPMENTS  
**PR**  
**L200 H1200**



**SUITABLE FOR**

market areas, squares, showrooms,  
parks or hotels

**PR L200 H1200 - A \***

06 SCHUKO sockets  
06 RCBOs 1P+N 16A 0,03 6KA

**PR L200 H1200 - B \***

06 2P+E 16A CEE SOCKETS  
06 RCBOs 1P+N 16A 0,03 6KA

**PR L200 H1200 - C \***

04 SCHUKO sockets  
04 RCBOs 1P+N 16A 0,03 6KA  
01 3P+N+E 16A inclined socket  
01 RCBO 4x16A 0,03 6ka

**OPTIONAL ACCESSORIES**

\* 01 or 02 ball valves 1/2"  
for water or compressed air  
01 or 02 RJ45 cat.06 data sockets  
01 LED lighting kit

01 heating kit

**WITHOUT EQUIPMENT- ONLY STAINLESS STEEL PLATE TO MOUNT THE EQUIPMENT**

EQUIPMENTS  
**PR**  
**L400 H1200**



**SUITABLE FOR**

market areas, squares, showrooms,  
parks or hotels

**PR L400 H1200 - A \***

04 SCHUKO sockets
04 RCBOs 1P+N 16A 0,03 6KA
01 3P+N+E 16A CEE socket
01 RCBO 4x16A 0,03 6ka
01 3P+N+E 32A CEE socket
01 RCBO 4x32A 0,03 6ka

**PR L400 H1200 - B \***

04 2P+E 16A CEE sockets
04 RCBOs 1P+N 16A 0,03 6KA
01 3P+N+E 16A CEE socket
01 RCBO 4x16A 0,03 6ka
01 3P+N+E 32A CEE socket
01 RCBO 4x32A 0,03 6ka

**PR L400 H1200 - C \***

02 2P+E 16A CEE sockets
02 RCBOs 1P+N 16A 0,03 6KA
02 3P+N+E 32A CEE socket
02 RCBO 4x32A 0,03 6ka

**PR L400 H1200 - D \***

08 2P+E 16A CEE sockets
08 RCBOs 1P+N 16A 0,03 6KA

**PR L400 H1200 - E \***

06 SCHUKO sockets
06 RCBOs 1P+N 16A 0,03 6KA
01 3P+N+E 16A CEE socket
01 RCBO 4x16A 0,03 6ka
01 3P+N+E 32A CEE socket
01 RCBO 4x32A 0,03 6ka

**PR L400 H1200 - F \***

06 2P+E 16A CEE sockets
06 RCBOs 1P+N 16A 0,03 6KA
01 3P+N+E 16A CEE socket
01 RCBO 4x16A 0,03 6ka
01 3P+N+E 32A CEE socket
01 RCBO 4x32A 0,03 6ka

**PR L400 H1200 - G \***

04 2P+E 16A CEE sockets
04 RCBOs 1P+N 16A 0,03 6KA
02 3P+N+E 32A CEE socket
02 RCBO 4x32A 0,03 6ka

**PR L400 H1200 - H \***

10 2P+E 16A CEE sockets
10 RCBOs 1P+N 16A 0,03 6KA

**OPTIONAL ACCESSORIES**

- \* 01 or 02 ball valves 1/2"
- for water or compressed air
- 01 heating kit
- 01 or 02 RJ45 cat.06 data sockets
- 01 LED lighting kit

**WITHOUT EQUIPMENT- ONLY STAINLESS STEEL PLATE TO MOUNT THE EQUIPMENT**



[WWW.VMRSRL.COM](http://WWW.VMRSRL.COM)

**NEW VMR S.R.L.**

VIA LARIO 31, 22060 CANTÙ (CO) ITALY

+39 031 704673 | 031 7090081

[INFO@VMRSRL.COM](mailto:INFO@VMRSRL.COM)

P.IVA 03230340139