

02692 - Ceiling-mounted connected radar sensor

Thanks to UWB (radar ultra wide band) ultra-low power technology, the sensor is capable of detecting presence and possible fallen people with the utmost precision. The device is fitted with an input for external wired contact which can be configured to control the activation of the relay or to activate the scenarios in the View Wireless system. The front push button starts the configuration with the View Wireless App and the LED signals the status of the relay. The prolonged presence in the detection area may trigger the sending of a notification and/or the activation of the relay.

TWO OPERATING MODES (ALTERNATIVE)

Stand alone • View Wireless System

Download the View Wireless App from the stores onto the tablet/smartphone you will be using for configuration.

Depending on the mode you select, you will need:

Stand alone	View Wireless System
Nothing else	Gateway art. 30807.x-20597-19597-16497-14597
	View App for management via smartphone/tablet

When the device is powered for the first configuration, we recommend you search for any new firmware and perform the update.

Create your Installer account on MyVimar (on-line).

STAND ALONE CONFIGURATION

1. Wire all the radar sensors.
2. Start the View Wireless App and log in with the credentials you just created.
3. Create the system and the environments.
4. Associate all the sensors with the environments.
 - To associate the radar sensor:
 - Select "Add" (), choose the environment to place it and give it a name
 - Select ; activate the Bluetooth connection on your tablet/smartphone and approach the radar sensor
 - Press the front push button to start the Configuration phase
5. For every device, set the function, the parameters and any accessory devices (wired or radio control and related function and groups).

CONFIGURATION IN THE VIEW WIRELESS SYSTEM Bluetooth

1. Wire all the devices in the system (radar sensors, 2-way switches, thermostats, gateway, etc.).
2. Start the View Wireless App and log in with the credentials you just created.
3. Create the system and the environments.
4. Associate all the devices with the environments, except for the gateway (which should be associated last).
 - To associate the radar sensor:
 - Select "Add" (), choose the environment to place it and give it a name
 - Select ; activate the Bluetooth connection on your tablet/smartphone and approach the radar sensor
 - Press the front push button to start the Configuration phase
5. For every device, set the function, the parameters and any accessory devices (wired or radio control and related function and groups).
6. Transfer the configuration of the devices to the gateway and connect it to the Wi-Fi network.
7. Transfer the system to the Administrator user (who must have created his/her profile on MyVimar).

For details please refer to the View Wireless App manual you can download from www.vimar.com = DOWNLOAD = View Wireless MOBILE = App

Summary of LED signals

- During normal operation (default colours):

LED	Meaning
On white	Relay active
Off	Relay not active
On red	Fall detection
Flashing white	Manual forcing (Relay active without timer activated/deactivated with front push button pressing)

- In the configuration phase:

LED	Meaning
Flashing blue (for max 2 min.)	Pending receipt of a fw update
1 green flash	Connection established with View Wireless
Blue permanently lit	Device associated with the smartphone via Bluetooth
1 white flash	Device reset

RESETTING THE DEVICE.

The reset restores the factory settings. Within the first 5 minutes from powering, press the front push button for 30 s until the white LED flashes.

INSTALLATION RULES.

- Installation and configuration must be carried out by qualified persons in compliance with the current regulations regarding the installation of electrical equipment in the country where the products are installed.
- Installation must be carried out with the system switched off.
- The OUT terminals are separated by double insulation from the L-N-P terminals. Do not connect a mains voltage circuit to the OUT terminals; these terminals can be connected to SELV and ELV circuits according to the characteristics stated.
- Connect a double insulated cable or a reinforced cable type 01840.E to the OUT terminals.
- Use a cable with sheath for terminals L-N-P (type H05RN-F) with the dedicated cable clamp.
- The device may only be used for indoor applications.
- Metal objects in front of the detector tend to alter its operation. Avoid installations where metal surfaces are present in the radar's field of detection.
- The technology used is capable of detecting presence even through certain types of material (for instance plasterboard, thin walls, fabric and wood), so suitable installation in the room is necessary, as is the appropriate configuration of the maximum detection range.
- Do not install on partitions or walls subjected to shock and vibration.
- This device is compliant with the reference standard, in terms of electrical safety, when it is installed as specified in the instructions and with the accessories supplied. If the device is used for purposes other than those specified by the manufacturer, the protection provided may be compromised.
- Do not cover the detection range of the detector.
- Install the device at a distance of more than 2 m from any Wi-Fi 6E antennae.
- After the configuration phase (or after changing parameters) and every time it is switched on, the detector performs an initial calibration phase lasting 45 s at the end of which it becomes operational; during this phase, detection may not be precise.
- Presence detection of a sleeping person only occurs correctly if the subject is entirely inside the detection area.

CHARACTERISTICS:

- Rated supply voltage: 100-240 V~, 50/60 Hz.
- Max. power absorption from the mains: 1.1 W
- Output contact: 24 VAC or 30 VDC, 400 mA max (SELV and ELV), not suitable for controlling electrical locks
- Bluetooth technology:
 - RF transmission power: < 100 mW (20 dBm)
 - Frequency range: 2400-2483.5 MHz
- UWB radar:
 - RF transmission power: < 1mW (0 dBm)
 - Frequency range: 7.3÷8.5 GHz
- Room brightness sensor for dusk/dawn light function (4 thresholds selected via App)
- Terminals:
 - 2 terminals (L and N) for line and neutral
 - 1 terminal (P) for connection to the remote wired control (for instance art. 30008-20008-19008-16080-14008). **The max distance between the IoT device and the push button is 50 m with a cable with a minimum cross-section of 1.5 mm².**
 - 2 terminals (OUT) for the potential-free signal relay output for SELV and ELV circuits
- Front push button for configuration/reset and for manual forcing (in configurations in which this mode is allowed).
- RGB LED indicating the output status (which can be set from the View Wireless App) and the configuration status
- Operating temperature: -10 ÷ +40 °C (indoor)
- Protection degree: IP20
- Configuration via View Wireless App for View Wireless system in Bluetooth technology
- Controllable via View App
- Detection of a fall is to be considered an auxiliary function which generates useful information to highlight conditions of danger, but it must not be deemed a substitute for a medical/life-saving device.

OPERATION

Operation, and therefore the management of the relay, widgets and notifications displayed by the View App are connected to the setting assigned to the parameters during the configuration phase.

Presence function

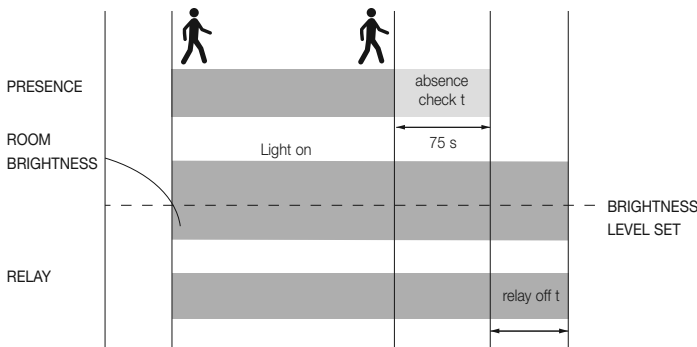
The presence in the detection area is signalled in the View App for the full duration plus the absence check time (75 s). At the end of this time, the relay is deactivated with a delay that can be set between 1 s and 16 hours.



Dusk/dawn light function

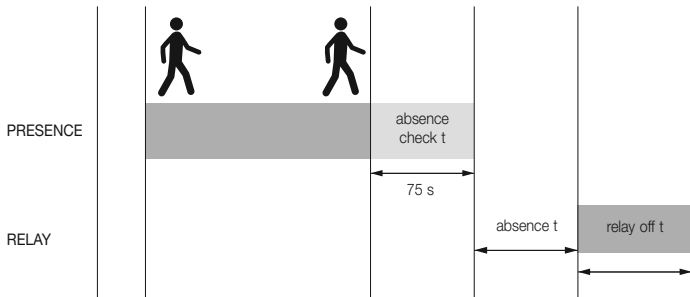
Activates the relay output if the room brightness detected is below the brightness level set in the View Wireless App and a presence is detected at the same time. After the output has been activated, the device no longer compares the room brightness level with the brightness threshold set, but only checks the presence inside the detection area.

Using the light aggregator of the View App and/or the external button (if configured as device control), the relay activation can also be forced even if the room brightness exceeds the threshold set and/or force the output to be turned off for 10 s to perform a new comparison of the room brightness with the threshold set.



Absence function

Designed, after each presence detected by the device event, to activate a sequence of operations comprising an absence check in the detection area for a set amount of time (absence t) followed by a time during which the relay output is enabled (relay off t). If a presence is detected in the detection area during the running of the sequence, the latter is interrupted. Each sequence is independent from the previous sequence.

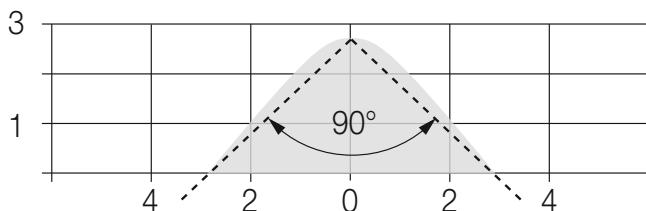


Fall function

The device, inside the fall detection area, is capable of detecting the fall of an adult (weighing more than 45 kg) and if the person remains on the ground after this fall.

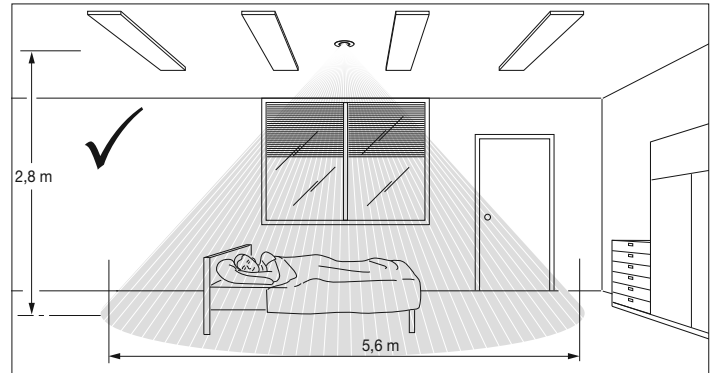
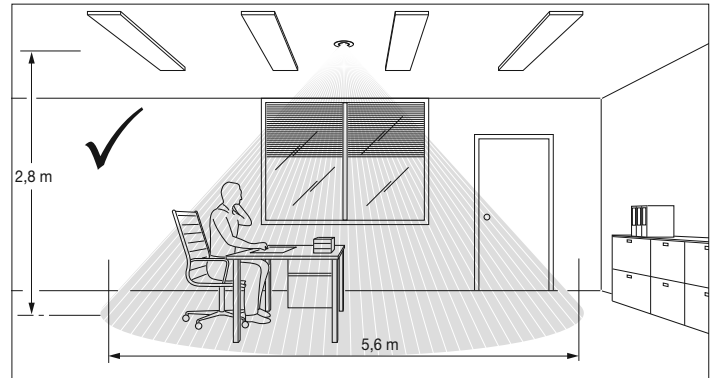
Detection angle

The device detects the presence inside an area, connected to a ceiling height of 2-3 m, with an opening angle of 90°.

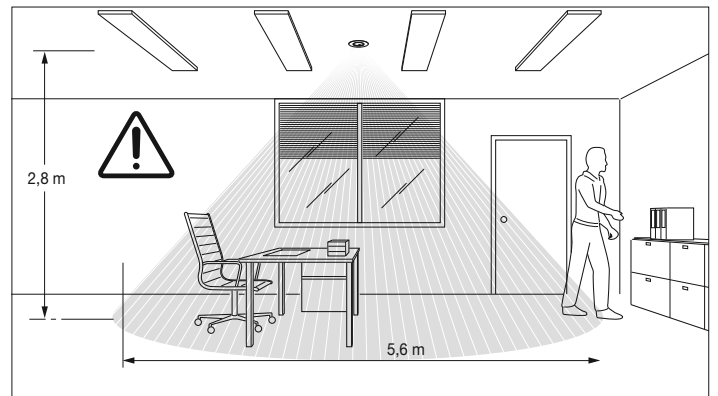


Detection area

People must be entirely inside the detection range.

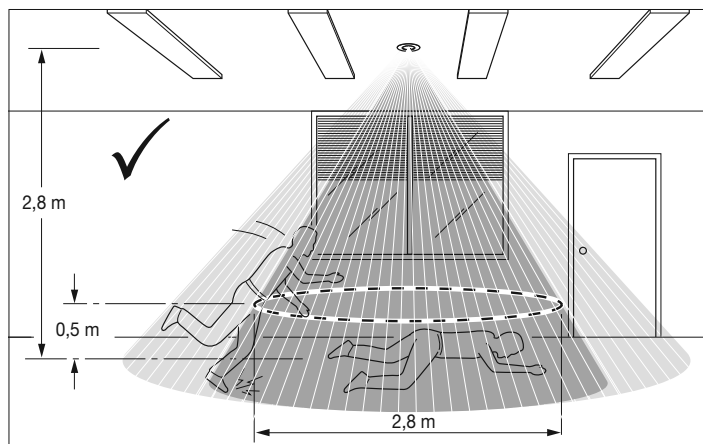


Operation not guaranteed (the person is not completely positioned inside the beam):

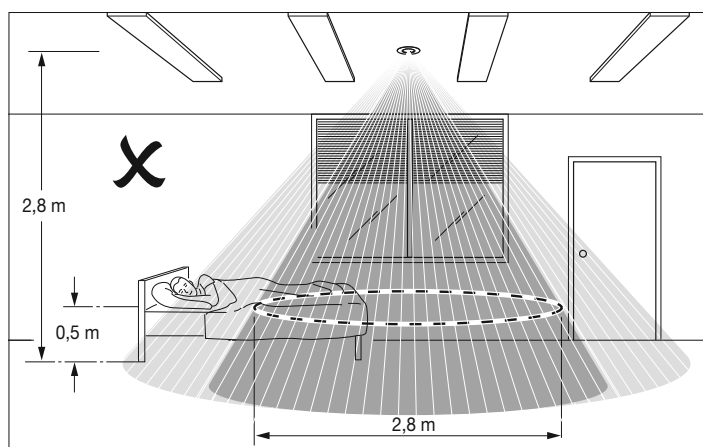
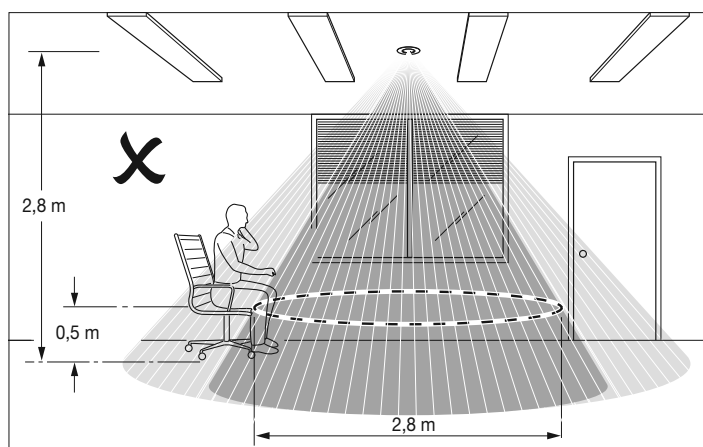


Fall detection area

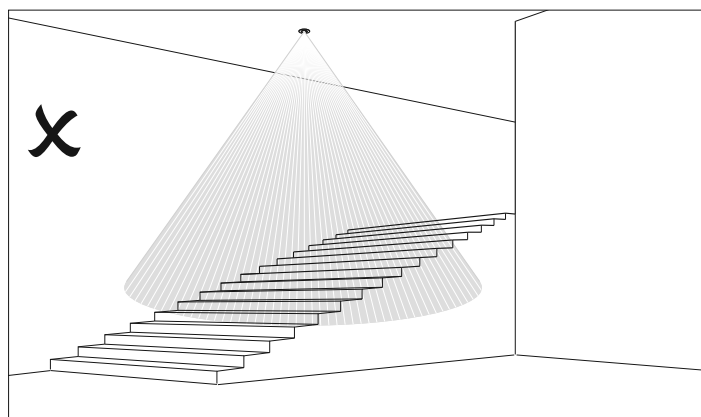
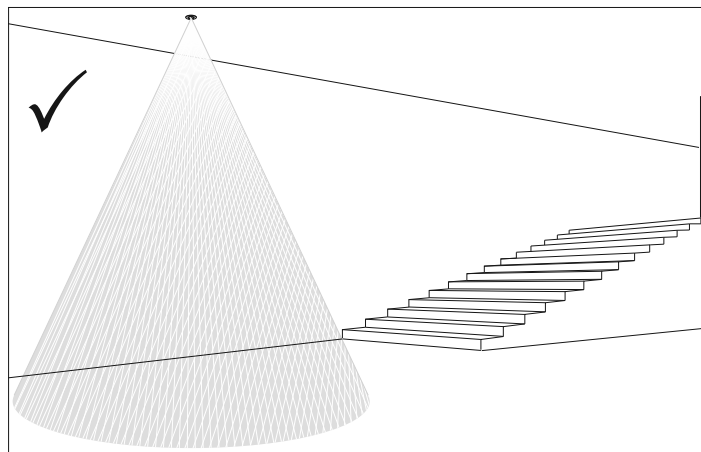
The falling of a person is detected if and only if it occurs inside the fall detection area and no other people are present. The reference plane for the detection of a person lying on the ground is approximately 0.5 m and the time they remain on the ground must be greater than the respective parameter set on the View Wireless App. At this height, the diameter of the fall detection area will be 2.8 m with a ceiling height of 2.8 m.



CAUTION: In some cases, the fall event may be detected even if there are people moving between the fall detection cone and the presence detection cone and/or with the permanence of children or pets within the detection cone.



IMPORTANT: The fall is only detected if the sensor is installed above a flat surface at a minimum height of 2.4m; install the sensor so that the beam is vertical. When the device is restarted, the fall function will be active after one minute with the free field of detection.



REGULATORY COMPLIANCE.

RED Directive. RoHS directive.

Standards EN IEC 60669-2-1, EN 302 065-1, EN 302 065-2, EN 301 489-1, EN 301 489-33, EN 301 489-17, EN 300 328, EN 62311, EN IEC 63000.

Vimar SpA declares that the radio equipment complies with Directive 2014/53/EU. The full text of the EU declaration of conformity is on the product sheet available on the following website: www.vimar.com.

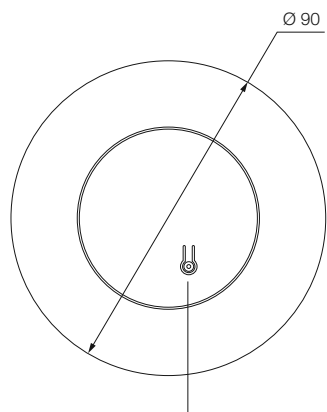
REACH (EU) Regulation no. 1907/2006 – Art.33. The product may contain traces of lead.



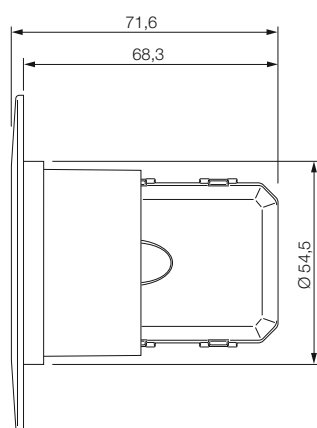
WEEE - User information

The crossed bin symbol on the appliance or on its packaging indicates that the product at the end of its life must be collected separately from other waste. The user must therefore hand the equipment at the end of its life cycle over to the appropriate municipal centres for the differentiated collection of electrical and electronic waste. As an alternative to independent management, you can deliver the equipment you want to dispose of free of charge to the distributor when purchasing a new appliance of an equivalent type. You can also deliver electronic products to be disposed of that are smaller than 25 cm for free, with no obligation to purchase, to electronics distributors with a sales area of at least 400 m². Proper sorted waste collection for subsequent recycling, processing and environmentally conscious disposal of the old equipment helps to prevent any possible negative impact on the environment and human health while promoting the practice of reusing and/or recycling materials used in manufacture.

VIEWS

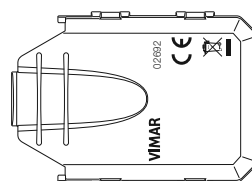
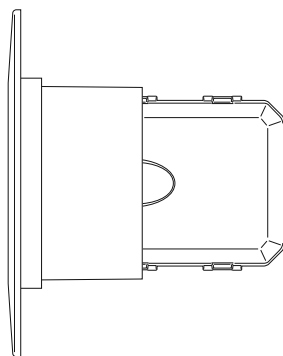


Configuration button + LED

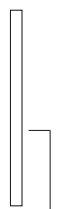


TERMINALS

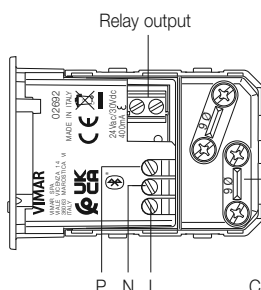
Detach the left part of the device body. Once the connections have been made, reattach everything.



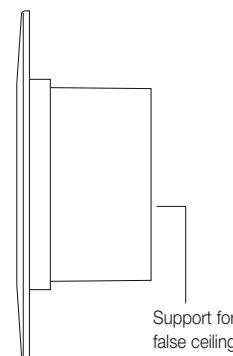
P: Input for wired push button for scenario recalling or device control



Fixing ring to the support



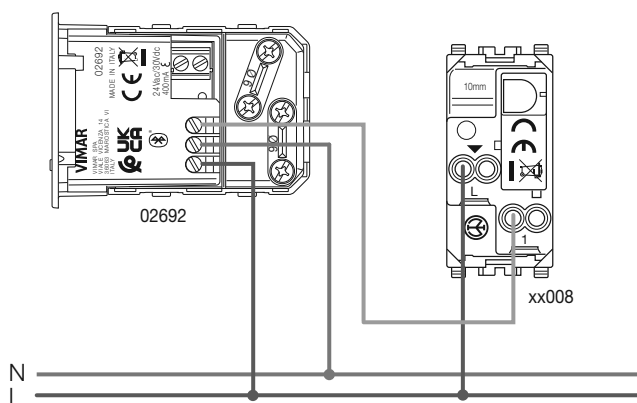
Cable clamp



Support for false ceiling

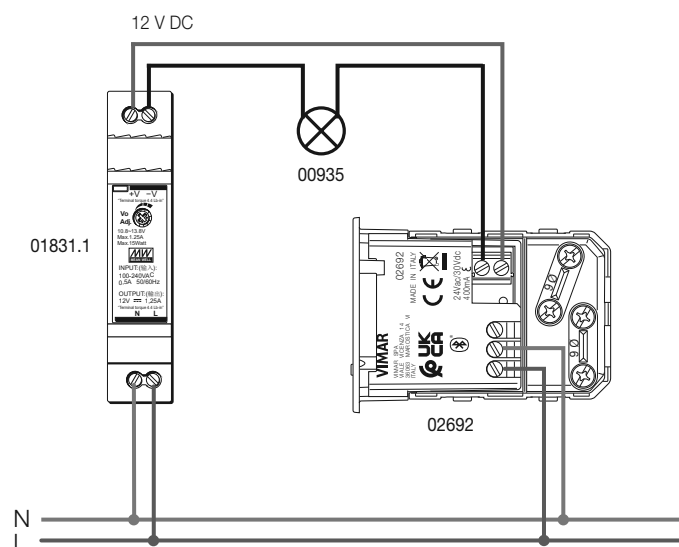
CONNECTIONS

1. Connection with 1-way switch or push button



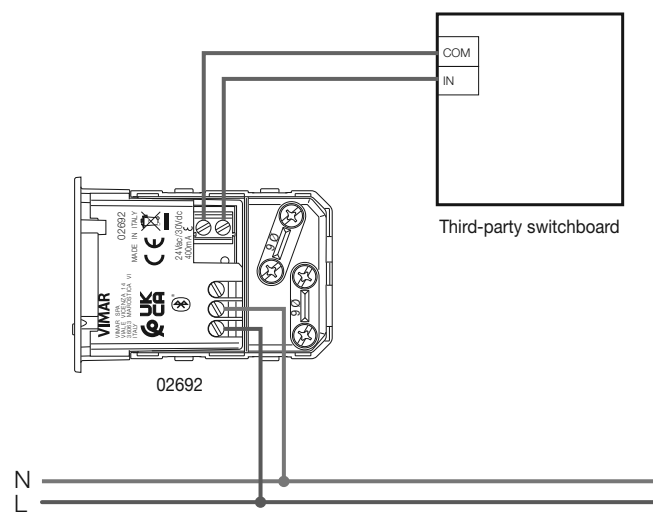
The 1-way switch 30000-xx001-16000 is used to signal the fall status, which can be activated with the PRESENCE function.
The push button xx008 is used to control the device with PRESENCE, DUSK/DAWN LIGHT and ABSENCE function and/or scenario activator.

2. Connection to the pilot lamp

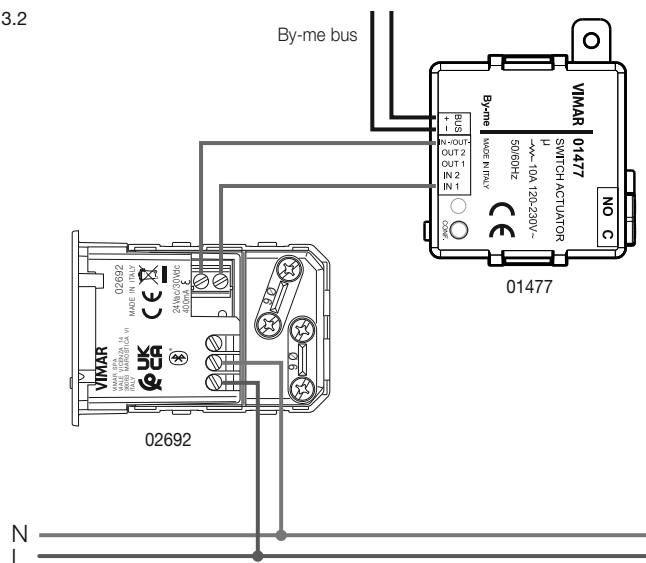


3. Connection to control switchboard or to device with potential-free inputs

3.1



3.2



4. Connection to the power relay for light control

